

S 42079 (C2)

FIGURE 199. AUXILIARY SERVO HYDRAULIC SYSTEM INSTALLATION

FIGURE AND INDEX NUMBER	PART NUMBER	DESCRIPTION	UNITS PER ASSY							USABLE ON CODE	
			1	2	3	4	5	6	7		
198 - 76	AN3H4A AN960PD10L	/ATTACHING PARTS/ • • BOLT • • • • • • • WASHER • • • • •								2 2	
- 77	S1665-20031	• • BRACKET ASSEMBLY, RESERVOIR SUPPORT								1	
- 78	MS28005-5	• • TRANSMITTER, PRESSURE /USE WITH 1500 PSI SYSTEM/								1	
- 79	MS35207-220	/ATTACHING PARTS/ • • SCREW • • • • •								4	
- 80	S1665-20364-1	• • SUPPORT ASSEMBLY, TRANSMITTER								1	
- 81	AN502-10-6 AN960PD10L	/ATTACHING PARTS/ • • SCREW • • • • • • • WASHER • • • • •								4 4	
- 82	S1520-61987	• • • SPRING								4	
- 83	S1665-61545	• • • ADAPTER ASSEMBLY								1	
- 84	AN3-12A AN960PD10 MS20365-1032	/ATTACHING PARTS/ • • BOLT • • • • • • • WASHER • • • • • • • NUT • • • • •								2 2 2	
- 85	S14-35-4401	• • • WASHER								2	
- 86	NAS43004-44	• • • SPACER								2	
- 87	AN931-11-16	• • • GROMMET								2	
- 88	S1665-61544-1	• • • CLIP								2	
- 89	MS20470B4	/ATTACHING PARTS/ • • RIVET								4	
- 90	S1665-61544-2	• • • CLIP								2	
- 91	MS20470B4	/ATTACHING PARTS/ • • RIVET								4	
- 92	S1665-20060	• • • BRACKET								1	
199 -	S1665-61810-1	HYDRAULIC SYSTEM INSTALLATION, AUXILIARY SERVO /MODIFIED BY 58650-10000-011/ SEE FIGURE 18-9									REF
- 1	SS40-7A220000	• HOSE ASSEMBLY, PUMP DRAIN								1	
- 2	AN815-4D MS28778-4	• UNION • PACKING								1 1	
- 3	SS40T7A335000	• HOSE ASSEMBLY, PUMP BY-PASS								1	
- 4	AN6289D4 MS28778-4 MS28777-4	• NUT • PACKING • RING								1 1 1	
- 5	AN833-4D AN919-6D MS28778-6	• ELBOW • REDUCER • PACKING								1 1 1	
- 6	SS40T7D310000	• HOSE ASSEMBLY, SUCTION								1	
- 7	AN6289J8 MS28778-8 MS28777-8	• NUT • PACKING • RING								1 1 1	
- 8	AN833-8J	• ELBOW								1	
- 8	SS40T7C242000	• HOSE ASSEMBLY, SERVO PRESSURE								1	
- 9	AN6289J6 MS28778-6 MS28777-6	• NUT • PACKING • RING								1 1 1	
- 9	AN833-6J	• ELBOW								1	
- 10	SS50-919K12C MS28778-8	• CHECK VALVE • PACKING								1 1	
- 11	58650-10001-101	• PUMP, HYDRAULIC /90166 PART NO. 165WE00217/ /ATTACHING PARTS/								1	
- 12	AN4C6A AN960PD416	• BOLT • WASHER								4 4	
- 13	SS40T28D132000	• HOSE ASSEMBLY, SERVO PRESSURE								1	
- 14	AN815-8J MS28778-8	• UNION • PACKING								1 1	
- 15	SS40T10062000	• HOSE ASSEMBLY, SERVO PRESSURE								1	
- 16	SS50-815K8C MS28778-8	• CHECK VALVE • PACKING								1 1	
- 17	AN938-8J	• TEE								1	
- 18	AN6289J8 MS28778-8	• NUT • PACKING								1 1	
- 18	TB155S2-8D	• COUPLING HALF, MALE /00624/								1	

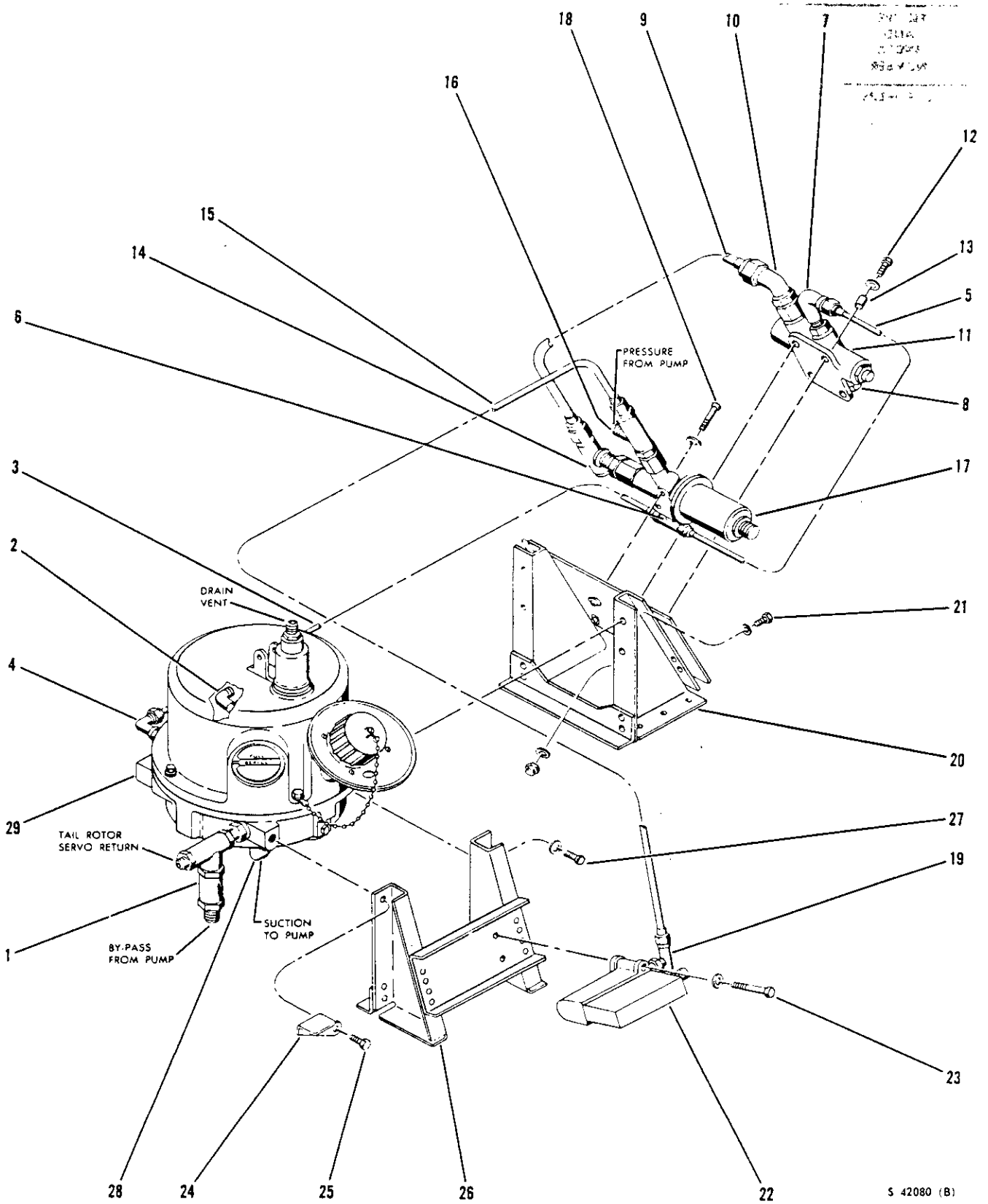
FIGURE AND INDEX NUMBER	PART NUMBER	DESCRIPTION	UNITS PER ASSY	USABLE ON CODE		
					1	2
199	1555-8D	• COUPLING HALF, FEMALE /00624/	1			
- 19	SS40T7C170000	• HOSE ASSEMBLY, PUMP BY-PASS	1			
- 20	AN815-6D	• UNION	1			
	MS28778-6	• PACKING	1			
- 21	AN938-6D	• TEE	1			
- 22	AN6289D6	• NUT	1			
	MS28778-6	• PACKING	2			
	T815552-6D	• COUPLING HALF, MALE /00624/	1			
	1555-6D	• COUPLING HALF, FEMALE /00624/	1			
- 23	58300-02031-106	• TUBE ASSEMBLY, PUMP DRAIN	1			
- 24	AN815-4D	• UNION	1			
	MS28778-4	• PACKING	1			
- 25	SS40T7E077000	• HOSE ASSEMBLY, SUCTION	1			
- 26	TA15552-10D	• COUPLING HALF, MALE /00624/	1			
	1555-10D	• COUPLING HALF, FEMALE /00624/	1			
	MS28778-10	• PACKING	1			
- 27	58300-02031-105	• TUBE ASSEMBLY, SUCTION	1			
	58300-02031-121	• TUBE ASSEMBLY, SUCTION	1			
- 28	AN815-10D	• UNION	1			
	MS28778-10	• PACKING	1			
- 29	AN919-15D	• REDUCER	1			
	MS28778-10	• PACKING	1			
- 30	AN938-10D	• TEE	1			
- 31	AN6289D10	• NUT	1			
	MS28778-10	• PACKING	1			
	MS28777-10	• RING	1			
	AN833-10D	• ELBOW	1			
- 32	AN893-19D	• BUSHING	1			
	MS28778-12	• PACKING	1			
- 33	AN6289J8	• NUT	1			
	MS28778-8	• PACKING	1			
	MS28777-8	• RING	1			
	AN832-8J	• UNION	1			
- 34	AN893-151J	• BUSHING	1			
	MS28778-10	• PACKING	1			
- 35	67WL200-2	• PUMP, HYDRAULIC /90166/	1			
	67WB200-3	• PUMP, HYDRAULIC /90166/	1			
	67WAF200	• PUMP, HYDRAULIC /90166/	1			
		/ATTACHING PARTS/				
- 36	AN960-516	• WASHER	4			
	MS21044N5	• NUT	4			
		- - - * - - -				
- 37	AN4044-1	• GASKET	1			
- 38	AN6289-8	• NUT	1			
	MS28778-8	• PACKING	1			
	MS28777-8	• RING	1			
	AN832-8	• UNION	1			
- 39	S1665-61533-135	• TUBE ASSEMBLY	1			
- 40	AN6289-8	• NUT	1			
	MS28778-8	• PACKING	1			
	MS28777-8	• RING	1			
	AN833-8	• ELBOW	1			
- 41	MS28720-8	• FILTER	1			
		/ATTACHING PARTS/				
- 42	AN4-20A	• BOLT	2			
	AN960PD4L	• WASHER	2			
		- - - * - - -				
- 42A	AN6235-3A	• ELEMENT, FILTER	1			
- 42B	AN6227-17	• PACKING	1			
- 43	S1665-61820	• CASING ASSEMBLY	1			
		/ATTACHING PARTS/				
- 44	M35206-245	• SCREW	6			
	AN960-8	• WASHER	6			
		- - - * - - -				
- 45	S1665-61533-137	• TUBE ASSEMBLY	1			
- 46	AN924-8	• NUT	1			
	AN960PD1216	• WASHER	1			
	AN833-8	• ELBOW	1			
- 47	AN821-8D	• ELBOW	1			
- 48	S1665-61533-139	• TUBE ASSEMBLY	1			
- 49	S1665-61533-141	• TUBE ASSEMBLY	1			

□ TO BE USED ON A/C WITH S1620-66328 BRACKET INSTALLATION.  
 ② TO BE USED ON A/C WITH S1620-63005 SHAFT GUARD INSTALLATION AND S1655-61783 MANIFOLD.  
 ‡ USED ON MOST MODEL S-58T HELICOPTERS.  
 § PER SERVICE BULLETIN 58835-24A.

FIGURE AND INDEX NUMBER	PART NUMBER	DESCRIPTION	UNITS PER ASSY	USABLE ON CODE		
					1	2
199 - 50	AN924-8D	• NUT	1			
	AN960PD1216	• WASHER	1			
	AN833-8D	• ELBOW	1			
- 51	S1665-61533-85	• TUBE ASSEMBLY	1			
- 52	AN821-4D	• ELBOW	1			
- 53	S1665-61533-193	• TUBE ASSEMBLY	1			
- 54	S1665-61533-191	• TUBE ASSEMBLY	1			
- 55	AN6270-4-10	• HOSE ASSEMBLY	1			
- 56	AN6289-4D	• NUT	1			
	MS28778-4	• PACKING	1			
	MS28777-4	• RING	1			
	AN833-4D	• ELBOW	1			
- 57	S1665-61533-189	• TUBE ASSEMBLY	1			
- 58	AN924-4D	• NUT	1			
	AN960PD716	• WASHER	2			
	AN804-4D	• TEE	1			
- 59	S1665-61533-113	• TUBE ASSEMBLY	1			
- 60	AN924-4D	• NUT	1			
	AN960PD716	• WASHER	2			
	AN833-4D	• ELBOW	1			
- 61	AN824-4D	• TEE	1			
- 62	S1665-61533-195	• TUBE ASSEMBLY	1			
- 63	S1665-61533-197	• TUBE ASSEMBLY	1			
- 64	AN924-4	• NUT	1			
	AN960PD716	• WASHER	1			
	AN833-4	• ELBOW	1			
- 65	58300-02031-107	• TUBE ASSEMBLY	1			
- 66	AN924-4	• NUT	1			
	AN960PD716	• WASHER	1			
	AN837-4	• ELBOW	1			
- 67	S1665-61533-173	• TUBE ASSEMBLY	1			
- 68	AN924-10	• NUT	1			
	AN960PD1416	• WASHER	1			
	AN833-10	• ELBOW	1			
- 69	AN821-10D	• ELBOW	1			
- 70	S1665-61533-171	• TUBE ASSEMBLY	1			
- 71	S1665-61533-169	• TUBE ASSEMBLY	1			
- 72	AN924-10D	• NUT	1			
	AN960PD1416	• WASHER	1			
	AN837-10D	• ELBOW	1			
- 73	S1665-61819	• BRACKET	1			
		/ATTACHING PARTS/				
- 74	NK525-10-6	• SCREW, /O2615/	2			
	AN960PD10L	• WASHER	2			
		- - - * - - -				
- 75	S1665-61533-185	• TUBE ASSEMBLY	1			
- 76	AN815-4D	• UNION	1			
- 77	S1665-61533-201	• TUBE ASSEMBLY	1			
- 78	S1665-61533-183	• TUBE ASSEMBLY	1			
- 79	S1665-61533-181	• TUBE ASSEMBLY	1			
- 80	AN924-6D	• NUT	1			
	AN960PD916	• WASHER	1			
	AN837-6D	• ELBOW	1			
- 81	S1665-61818	• BRACKET	1			
		/ATTACHING PARTS/				
- 82	NK525-10-6	• SCREW, /O2615/	2			
	AN960PD10L	• WASHER	2			
		- - - * - - -				
- 83	AN821-6D	• ELBOW	1			
- 84	S1665-61533-179	• TUBE ASSEMBLY	1			
- 85	AN924-6	• NUT	1			
	AN960PD916	• WASHER	1			
	AN833-6	• ELBOW	1			
- 86	AN6289-4	• NUT	1			
	MS28778-4	• PACKING	1			
	MS28777-4	• RING	1			
	AN833-4	• ELBOW	1			
- 87	MS28741-4-0060	• HOSE ASSEMBLY	1			
- 88	S1665-61533-131	• TUBE ASSEMBLY	1			
- 89	AN6289-4	• NUT	1			
	AN960-716	• WASHER	1			
	MS28778-4	• PACKING	1			
	MS28777-4	• RING	1			
	AN833-4	• ELBOW	1			

FIGURE AND INDEX NUMBER	PART NUMBER	DESCRIPTION	UNITS PER ASSY							USABLE ON CODE		
			1	2	3	4	5	6	7			
199 - 90	AN815-4	• UNION	.	.	.	.	.	.	.	.	1	
- 91	MS28778-4	• PACKING	.	.	.	.	.	.	.	.	1	
- 92	S1665-61533-157	• TUBE ASSEMBLY	.	.	.	.	.	.	.	.	1	
	AN815-4	• UNION	.	.	.	.	.	.	.	.	1	
	MS28778-4	• PACKING	.	.	.	.	.	.	.	.	1	
- 93	831-4-5	• FUSE, /82271/ /ATTACHING PARTS/	.	.	.	.	.	.	.	.	1	
- 94	MS21919DG20	• CLAMP	.	.	.	.	.	.	.	.	2	
	MS35219-55	• SCREW	.	.	.	.	.	.	.	.	2	
	AN960PD10	• WASHER	.	.	.	.	.	.	.	.	2	
	AN365D1032	• NUT	.	.	.	.	.	.	.	.	2	
- 95	S1665-61533-155	• TUBE ASSEMBLY	.	.	.	.	.	.	.	.	1	
- 96	AN924-4	• NUT	.	.	.	.	.	.	.	.	1	
	AN960PD716	• WASHER	.	.	.	.	.	.	.	.	1	
	AN832-4	• UNION	.	.	.	.	.	.	.	.	1	
- 97	S1620-66328	• BRACKET INSTALLATION	.	.	.	.	.	.	.	.	1	
- 98	AN821-4D	• ELBOW	.	.	.	.	.	.	.	.	1	
- 99	S1665-61533-153	• HOSE ASSEMBLY	.	.	.	.	.	.	.	.	1	
-100	AN815-4D	• UNION	.	.	.	.	.	.	.	.	1	
	MS28778-4	• PACKING	.	.	.	.	.	.	.	.	1	
-101	S1665-61533-145	• TUBE ASSEMBLY	.	.	.	.	.	.	.	.	1	
-102	AN815-8D	• UNION	.	.	.	.	.	.	.	.	1	
	MS28778-8	• PACKING	.	.	.	.	.	.	.	.	1	
-103	S1665-61533-151	• TUBE ASSEMBLY	.	.	.	.	.	.	.	.	1	
-104	S1665-61533-29	• TUBE ASSEMBLY	.	.	.	.	.	.	.	.	1	
-105	AN924-4D	• NUT	.	.	.	.	.	.	.	.	1	
	AN960PD716	• WASHER	.	.	.	.	.	.	.	.	1	
	AN833-4D	• ELBOW	.	.	.	.	.	.	.	.	1	
-106	AN6289-4D	• NUT	.	.	.	.	.	.	.	.	1	
	MS28778-4	• PACKING	.	.	.	.	.	.	.	.	1	
	MS28777-4	• RING	.	.	.	.	.	.	.	.	1	
	AN837-4D	• ELBOW	.	.	.	.	.	.	.	.	1	
-107	AN6289-4D	• NUT	.	.	.	.	.	.	.	.	1	
	MS28778-4	• PACKING	.	.	.	.	.	.	.	.	1	
	MS28777-4	• RING	.	.	.	.	.	.	.	.	1	
	AN833-4D	• ELBOW	.	.	.	.	.	.	.	.	1	
-108	S1665-61533-41	• TUBE ASSEMBLY	.	.	.	.	.	.	.	.	1	
-109	S1665-61533-159	• TUBE ASSEMBLY	.	.	.	.	.	.	.	.	1	
-110	AN924-4D	• NUT	.	.	.	.	.	.	.	.	1	
	AN960PD716	• WASHER	.	.	.	.	.	.	.	.	1	
	AN833-4D	• ELBOW	.	.	.	.	.	.	.	.	1	
-111	S1665-61533-163	• TUBE ASSEMBLY	.	.	.	.	.	.	.	.	1	
-112	AN815-8D	• UNION	.	.	.	.	.	.	.	.	1	
	MS28778-8	• PACKING	.	.	.	.	.	.	.	.	1	
-113	S1665-61812	• PANEL ASSEMBLY, AUXILIARY SERVO SEE FIGURE 200 /ATTACHING PARTS/	.	.	.	.	.	.	.	.	1	
-114	NK525-10-6	• SCREW, /02615/	.	.	.	.	.	.	.	.	12	
	AN960PD10L	• WASHER	.	.	.	.	.	.	.	.	12	
-115	S1665-61533-147	• TUBE ASSEMBLY	.	.	.	.	.	.	.	.	1	
-116	AN815-8D	• UNION	.	.	.	.	.	.	.	.	1	
	MS28778-8	• PACKING	.	.	.	.	.	.	.	.	1	
-117	S1665-61533-23	• TUBE ASSEMBLY	.	.	.	.	.	.	.	.	1	
-118	AN924-8D	• NUT	.	.	.	.	.	.	.	.	1	
	AN960PD1216	• WASHER	.	.	.	.	.	.	.	.	1	
	AN833-8D	• ELBOW	.	.	.	.	.	.	.	.	1	
-119	S1665-61533-47	• TUBE ASSEMBLY	.	.	.	.	.	.	.	.	1	
-120	S1665-61533-161	• TUBE ASSEMBLY	.	.	.	.	.	.	.	.	1	
-121	AN924-8D	• NUT	.	.	.	.	.	.	.	.	1	
	AN960PD1216	• WASHER	.	.	.	.	.	.	.	.	1	
	AN837-8D	• ELBOW	.	.	.	.	.	.	.	.	1	
-122	AN815-8D	• UNION	.	.	.	.	.	.	.	.	1	
	MS28778-8	• PACKING	.	.	.	.	.	.	.	.	1	
-123	AN815-4D	• UNION	.	.	.	.	.	.	.	.	1	
	MS28778-4	• PACKING	.	.	.	.	.	.	.	.	1	
-124	MS28741-4-0134	• HOSE ASSEMBLY	.	.	.	.	.	.	.	.	1	
-125	MS28741-4-0130	• HOSE ASSEMBLY	.	.	.	.	.	.	.	.	1	
-126	AN6289D4	• NUT	.	.	.	.	.	.	.	.	1	
	MS28778-4	• PACKING	.	.	.	.	.	.	.	.	1	
	MS28777-4	• RING	.	.	.	.	.	.	.	.	1	
	AN833-4D	• ELBOW	.	.	.	.	.	.	.	.	1	
-127	11223-50	• RESTRICTOR ASSEMBLY, /26044/	.	.	.	.	.	.	.	.	1	
-128	8195-1	• SNUBBER, HYDRAULIC PRESSURE /99643/	.	.	.	.	.	.	.	.	1	

FIGURE AND INDEX NUMBER	PART NUMBER	DESCRIPTION							UNITS PER ASSY	USABLE ON CODE	
		1	2	3	4	5	6	7			
199 -129	AN814-4D	. PLUG . . . . .								1	
	MS28778-4	. PACKING . . . . .								1	
-130	S1665-61548	. MANIFOLD . . . . .								1	
		/ATTACHING PARTS/									
-131	NK501-10-40	. SCREW, /02615/ . . . . .								4	
		- - - * - - -									
-132	AN6289D4	. NUT . . . . .								1	
	MS28778-4	. PACKING . . . . .								1	
	MS28777-4	. RING . . . . .								1	
	AN837-4D	. ELBOW . . . . .								1	
-133	22300-5B5	. TRANSMITTER, /19315/ /USE WITH 1000 PSI SYSTEM/ . . . . .								1	
	MS28005-5	. TRANSMITTER, /USE WITH 1500 PSI SYSTEM/ . . . . .								1	
		/ATTACHING PARTS/									
-134	MS35207-226	. SCREW . . . . .								4	
-135	S1665-61524	. SUPPORT ASSEMBLY, TRANSMITTER . . . . .								1	
		/ATTACHING PARTS/									
-136	AN502-10-6	. SCREW . . . . .								4	
	AN960PD10L	. WASHER . . . . .								4	
		- - - * - - -									
-137	S1520-61987	. SPRING . . . . .								1	
-138	S1665-61545	. ADAPTER . . . . .								1	
		/ATTACHING PARTS/									
-139	AN3-12A	. SCREW . . . . .								2	
	AN960PD10	. WASHER . . . . .								2	
	AN365-1032	. NUT . . . . .								2	
		- - - * - - -									
-140	S14-35-4401	. WASHER . . . . .								2	
-141	NASLD3-44	. SPACER . . . . .								2	
-142	AN931-11-16	. GROMMET . . . . .								2	
200 -	S1665-61812	PANEL ASSEMBLY, AUXILIARY SERVO SEE FIGURE 199-113 . . . . .								REF	
- 1	AN832-6D	. UNION . . . . .								1	
	MS28778-6	. PACKING . . . . .								1	
	AN6207-6	. CHECK VALVE . . . . .								1	
	MS28778-6	. PACKING . . . . .								1	
	AN6289D6	. NUT . . . . .								1	
	MS28778-6	. PACKING . . . . .								1	
	MS28777-6	. RING . . . . .								1	
	AN93806	. TEE . . . . .								1	
	AN919-6D	. REDUCER . . . . .								1	
	MS28778-6	. PACKING . . . . .								1	
- 2	AN6289D8	. NUT . . . . .								1	
	MS28778-8	. PACKING . . . . .								1	
	MS28777-8	. RING . . . . .								1	
	AN833-8D	. ELBOW . . . . .								1	
- 3	S1665-61533-167	. TUBE ASSEMBLY . . . . .								1	
- 4	AN6289D6	. NUT . . . . .								1	
	MS28778-6	. PACKING . . . . .								1	
	MS28777-6	. RING . . . . .								1	
	AN833-6D	. ELBOW . . . . .								1	
- 5	S1665-61533-165	. TUBE ASSEMBLY . . . . .								1	
- 6	AN6289D6	. NUT . . . . .								1	
	MS28778-6	. PACKING . . . . .								1	
	MS28777-6	. RING . . . . .								1	
	AN834-6D	. TEE . . . . .								1	
- 7	AN6289D6	. NUT . . . . .								1	
	MS28778-6	. PACKING . . . . .								1	
	MS28777-6	. RING . . . . .								1	
	AN833-6D	. ELBOW . . . . .								1	
- 8	AN814-6D	. PLUG . . . . .								2	
	MS28778-6	. PACKING . . . . .								2	
- 9	S1665-61533-143	. TUBE ASSEMBLY . . . . .								1	
- 10	AN6289D8	. NUT . . . . .								1	
	MS28778-8	. PACKING . . . . .								1	
	MS28777-8	. RING . . . . .								1	
	AN833-8D	. ELBOW . . . . .								1	
	AN894D8-6	. BUSHING . . . . .								1	
	MS28778-6	. PACKING . . . . .								1	

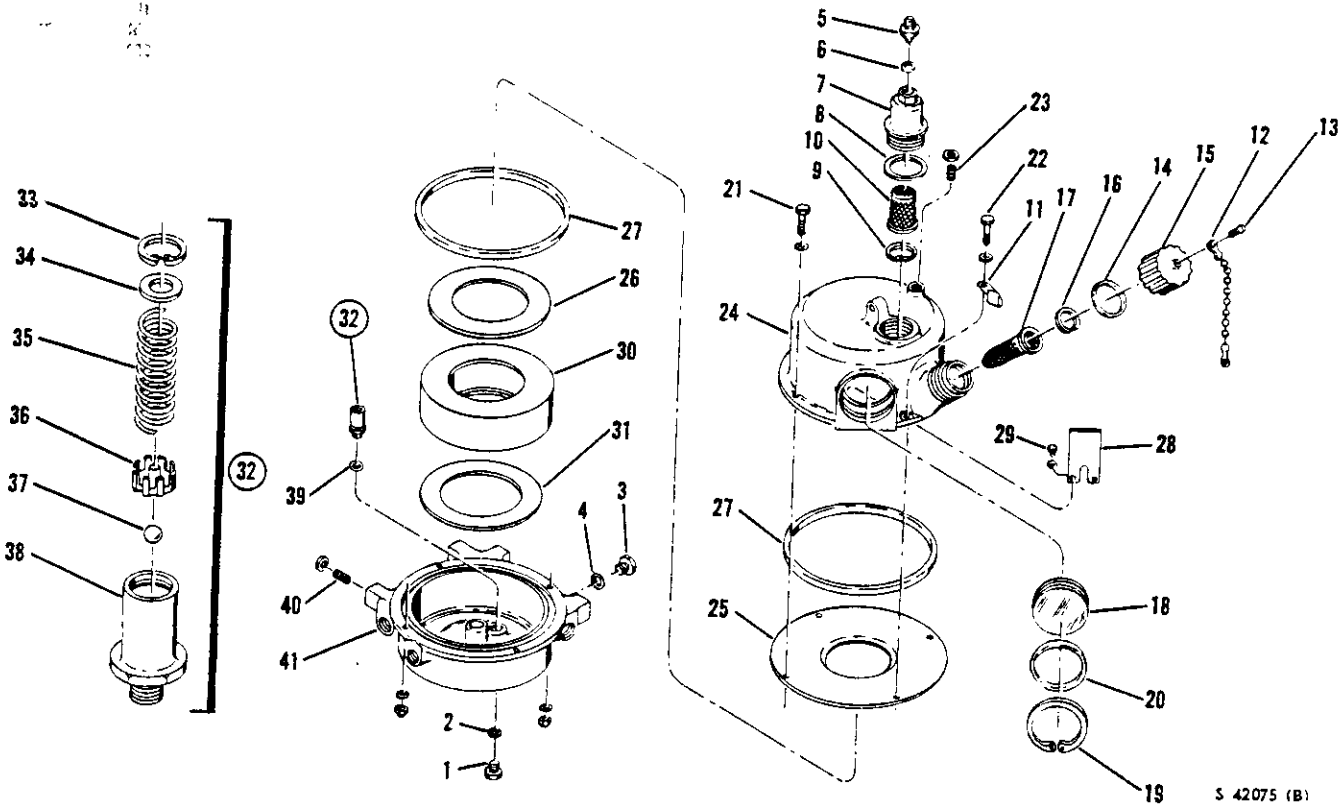


Part No.	Description
1	...
2	...
3	...
4	...
5	...
6	...
7	...
8	...
9	...
10	...
11	...
12	...
13	...
14	...
15	...
16	...
17	...
18	...
19	...
20	...
21	...
22	...
23	...
24	...
25	...
26	...
27	...
28	...
29	...

FIGURE 200. AUXILIARY SERVO PANEL ASSEMBLY

FIGURE AND INDEX NUMBER	PART NUMBER	DESCRIPTION	UNITS PER ASSY							USABLE ON CODE	
			1	2	3	4	5	6	7		
200 - 11	AN6200-64B	• VALVE, RELIEF /ATTACHING PARTS/	.	.	.	.	.	.	.	1	
- 12	AN3DD13A	• BOLT	.	.	.	.	.	.	.	4	
	AN960PD10	• WASHER	.	.	.	.	.	.	.	4	
	AN365D1032	• NUT	.	.	.	.	.	.	.	4	
		- - - * - - -									
- 13	NAS43DD3-48	• SPACER	.	.	.	.	.	.	.	4	
- 14	AN6289D8	• NUT	.	.	.	.	.	.	.	1	
	MS28778-8	• PACKING	.	.	.	.	.	.	.	1	
	MS28777-8	• RING	.	.	.	.	.	.	.	1	
	AN834-8D	• TEE	.	.	.	.	.	.	.	1	
	AN894D8-6	• BUSHING	.	.	.	.	.	.	.	1	
	MS28778-6	• PACKING	.	.	.	.	.	.	.	1	
- 15	S1665-61533-149	• TUBE ASSEMBLY	.	.	.	.	.	.	.	1	
- 16	AN919-10D	• REDUCER	.	.	.	.	.	.	.	1	
	MS28778-8	• PACKING	.	.	.	.	.	.	.	1	
	AN6289D8	• NUT	.	.	.	.	.	.	.	1	
	MS28778-8	• PACKING	.	.	.	.	.	.	.	1	
	MS28777-8	• RING	.	.	.	.	.	.	.	1	
	AN784D8	• TEE	.	.	.	.	.	.	.	1	
	AN894D8-6	• BUSHING	.	.	.	.	.	.	.	1	
	MS28778-6	• PACKING	.	.	.	.	.	.	.	1	
- 17	S1565-61831	• VALVE ASSEMBLY, THREE-WAY HYDRAULIC SOLENOID OPERATED SELECTOR /70236 PART NO. 640-30-1/ SEE FIGURE 194 /ATTACHING PARTS/	.	.	.	.	.	.	.	1	
- 18	AN3DD23A	• BOLT	.	.	.	.	.	.	.	2	
	AN960PD10	• WASHER	.	.	.	.	.	.	.	2	
		- - - * - - -									
- 19	AN6289D4	• NUT	.	.	.	.	.	.	.	1	
	MS28778-4	• PACKING	.	.	.	.	.	.	.	1	
	MS28777-4	• RING	.	.	.	.	.	.	.	1	
	AN938-4D	• TEE	.	.	.	.	.	.	.	1	
	AN815-4D	• UNION	.	.	.	.	.	.	.	2	
	MS28778-4	• PACKING	.	.	.	.	.	.	.	2	
- 20	S1665-61816	• SUPPORT ASSEMBLY /ATTACHING PARTS/	.	.	.	.	.	.	.	1	
- 21	AN73-3	• BOLT	.	.	.	.	.	.	.	2	
	AN960PD10	• WASHER	.	.	.	.	.	.	.	2	
		- - - * - - -									
- 22	65652-09022-117	• SWITCH, PRESSURE /02750 PART NO. 211C228-7/ /ATTACHING PARTS/	.	.	.	.	.	.	.	1	
- 23	AN3DD14A	• BOLT	.	.	.	.	.	.	.	2	
	AN960PD10	• WASHER	.	.	.	.	.	.	.	2	
		- - - * - - -									
- 24	S14-40-5058	• BRACKET /ATTACHING PARTS/	.	.	.	.	.	.	.	1	
- 25	AN73-3	• BOLT	.	.	.	.	.	.	.	1	
		- - - * - - -									
- 26	S1665-61814	• SUPPORT ASSEMBLY /ATTACHING PARTS/	.	.	.	.	.	.	.	1	
- 27	AN73-3	• BOLT	.	.	.	.	.	.	.	1	
	AN960PD10	• WASHER	.	.	.	.	.	.	.	1	
		- - - * - - -									
- 28	AN6289D10	• NUT	.	.	.	.	.	.	.	1	
	MS28778-10	• PACKING	.	.	.	.	.	.	.	1	
	MS28777-10	• RING	.	.	.	.	.	.	.	1	
	AN833-10D	• ELBOW	.	.	.	.	.	.	.	1	
- 29	S1665-61813	• RESERVOIR ASSEMBLY, AUXILIARY SERVO SEE FIGURE 195	.	.	.	.	.	.	.	1	
201 -	S1665-61407-1	LINES INSTALLATION, ROTOR BRAKE HYDRAULIC SEE FIGURE 18-2	.	.	.	.	.	.	.	REF	
	S1665-61407-2	LINES INSTALLATION, ROTOR BRAKE HYDRAULIC SEE FIGURE 18-2	.	.	.	.	.	.	.	REF	
	S1665-61407-3	LINES INSTALLATION, ROTOR BRAKE HYDRAULIC SEE FIGURE 18-2	.	.	.	.	.	.	.	REF	
- 1	S1665-61403-1	• TUBE ASSEMBLY	.	.	.	.	.	.	.	1	
- 2	AN837-4D	• ELBOW	.	.	.	.	.	.	.	1	
	S1665-61400	• CYLINDER INSTALLATION, ROTOR BRAKE	.	.	.	.	.	.	.	1	



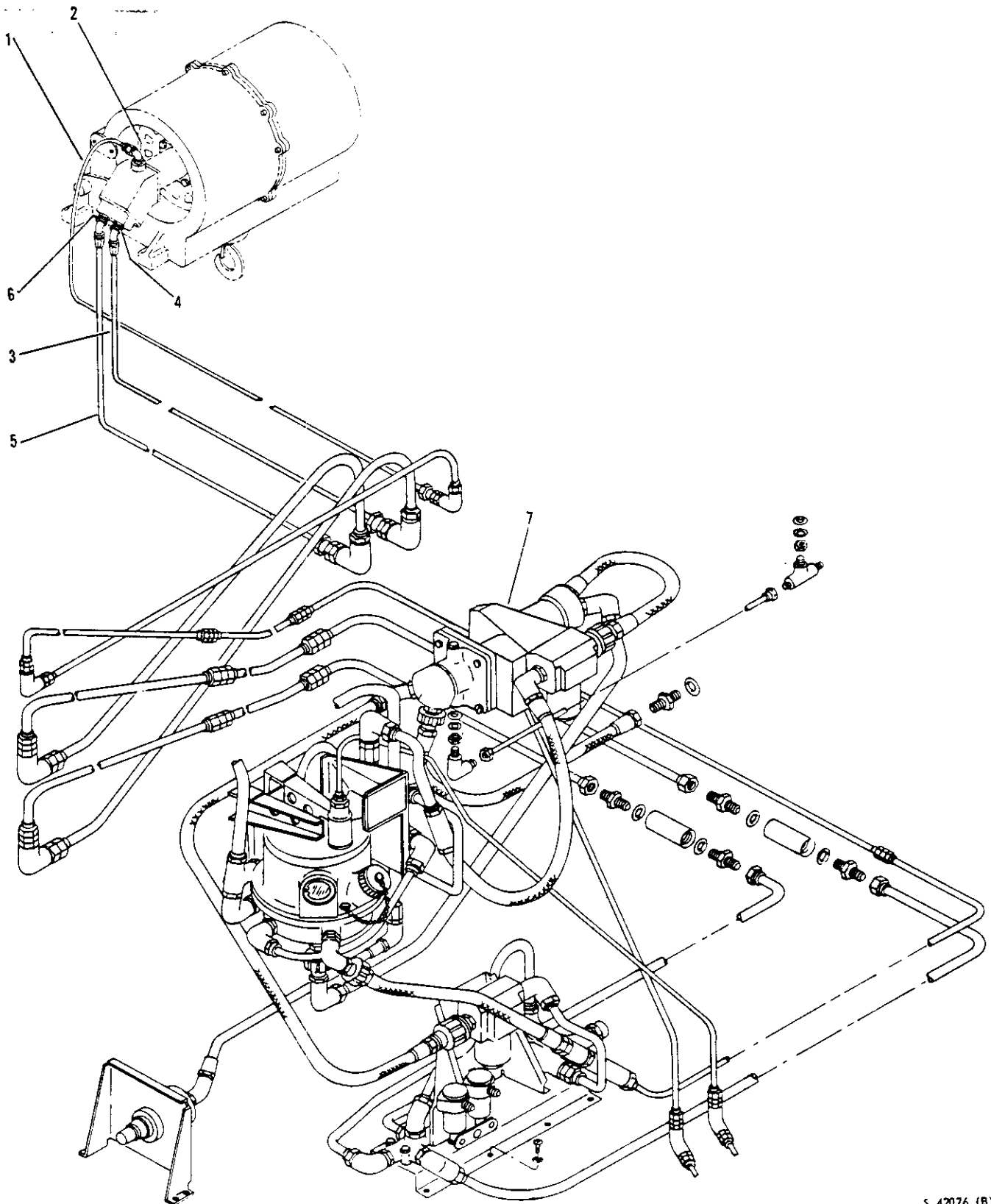


S 42075 (B)

FIGURE 195. SERVO AND HOIST HYDRAULIC SYSTEM RESERVOIR ASSEMBLY

FIGURE AND INDEX NUMBER	PART NUMBER	DESCRIPTION	UNITS PER ASSY							USABLE ON CODE
			1	2	3	4	5	6	7	
195 -	S1665-20075-3	RESERVOIR ASSEMBLY, MAIN ROTOR SERVO AND HOIST . . . .								REF
	S1665-61813	RESERVOIR ASSEMBLY, AUXILIARY SERVO HYDRAULIC SEE . . . .								REF
		FIGURE 200-29								
- 1	AN814-5DL	• PLUG, BLEEDER . . . . .								1
- 2	MS28778-5	• PACKING . . . . .								1
- 3	AN814-4DL	• PLUG, BLEEDER . . . . .								1
- 4	MS28778-4	• PACKING . . . . .								1
- 5	AN919-6D	• REDUCER . . . . .								1
- 6	MS28778-6	• PACKING . . . . .								1
- 7	S1565-20064	• ADAPTER . . . . .								1
- 8	S1565-20066	• GASKET . . . . .								1
- 9	NAS50-143	• RING, RETAINER . . . . .								1
- 10	AN6237-1	• ELEMENT, FILTER . . . . .								1
- 11	S14-40-5058	• BRACKET, /USE WITH S1665-20075-3/ . . . . .								1
- 12	S14-40-7004	• CAP ASSEMBLY, RESERVOIR FILLER . . . . .								1
- 12	S14-40-7009	• CHAIN ASSEMBLY . . . . .								1
- 13	MS27039-0806	• SCREW . . . . .								1
- 14	AN6227-26	• PACKING, O-RING . . . . .								1
- 15	S14-40-7005	• CAP . . . . .								1
- 16	NAS50-125	• RING, RETAINER . . . . .								1
- 17	S1565-20062	• STRAINER ASSEMBLY . . . . .								1
- 18	S1565-20065	• WINDOW . . . . .								1
- 19	NAS50-250	• RINGER, RETAINER . . . . .								1

FIGURE AND INDEX NUMBER	PART NUMBER	DESCRIPTION							UNITS PER ASSY	USABLE ON CODE	
		1	2	3	4	5	6	7			
195 - 20	AN6230-6 S1565-20059-1	.	.	.	.	.	.	.	.	1	
		.	.	.	.	.	.	.	.	1	
- 21	AN3-12A AN960PD10	.	.	.	.	.	.	.	.	3	
	AN365-1032	.	.	.	.	.	.	.	.	3	
- 22	AN3-13A AN960PD10	.	.	.	.	.	.	.	.	1	
	AN365-1032	.	.	.	.	.	.	.	.	1	
		.	.	.	.	.	.	.	.	1	
- 23	R205S87 RL24S87	.	.	.	.	.	.	.	.	1	
- 24	S1565-20060	.	.	.	.	.	.	.	.	1	
- 25	S14-40-7103	.	.	.	.	.	.	.	.	1	
- 26	AN6238-1	.	.	.	.	.	.	.	.	1	
- 27	909-39-711-70	.	.	.	.	.	.	.	.	2	
- 28	S14-40-7043	.	.	.	.	.	.	.	.	1	
		.	.	.	.	.	.	.	.	1	
- 29	AN503-8-6 AN960PD8L	.	.	.	.	.	.	.	.	2	
		.	.	.	.	.	.	.	.	2	
		.	.	.	.	.	.	.	.	1	
- 30	AN6236-1	.	.	.	.	.	.	.	.	1	
- 31	AN6238-1	.	.	.	.	.	.	.	.	1	
- 32	S14-40-7013	.	.	.	.	.	.	.	.	1	
- 33	NAS50-50	.	.	.	.	.	.	.	.	1	
- 34	S14-40-7045	.	.	.	.	.	.	.	.	1	
- 35	S14-40-7016	.	.	.	.	.	.	.	.	1	
- 36	S14-40-7015	.	.	.	.	.	.	.	.	1	
- 37	AN216C2-12	.	.	.	.	.	.	.	.	1	
- 38	S14-40-7014	.	.	.	.	.	.	.	.	1	
- 39	AN6227-6 S1665-20075-2 S1565-20059-2	.	.	.	.	.	.	.	.	1	
		.	.	.	.	.	.	.	.	1	
- 40	R205S87 RL24S87	.	.	.	.	.	.	.	.	4	
		.	.	.	.	.	.	.	.	4	
- 41	S1665-20076 S1565-20061	.	.	.	.	.	.	.	.	1	
		.	.	.	.	.	.	.	.	1	
196 -	□S1665-20111-13	HYDRAULIC SYSTEM INSTALLATION, MAIN ROTOR SERVO AND HOIST SEE FIGURE 3-75							REF		
	□S1665-20111-14	HYDRAULIC SYSTEM INSTALLATION, MAIN ROTOR SERVO AND HOIST SEE FIGURE 3-75							REF		
- 1	MS28741-4-0340	.	.	.	.	.	.	.	.	1	
- 2	AN6289D4 MS28778-4 MS28777-4 AN833-4D	.	.	.	.	.	.	.	.	1	
		.	.	.	.	.	.	.	.	1	
- 3	S1665-20058-25	.	.	.	.	.	.	.	.	1	
- 4	AN815-8D MS28778-8	.	.	.	.	.	.	.	.	1	
		.	.	.	.	.	.	.	.	1	
- 5	S1665-20058-23	.	.	.	.	.	.	.	.	1	
- 6	AN815-8D MS28778-8	.	.	.	.	.	.	.	.	1	
		.	.	.	.	.	.	.	.	1	
- 7	□S1665-20111-12 □S1665-20111-11	HYDRAULIC SYSTEM INSTALLATION, MAIN ROTOR SERVO /USE WITH S1665-20111-13/ SEE FIGURE 197							1		
		HYDRAULIC SYSTEM INSTALLATION, MAIN ROTOR SERVO /USE WITH S1665-20111-14/ SEE FIGURE 197							1		
		□ USED ON SOME MODEL S-58T HELICOPTERS.									

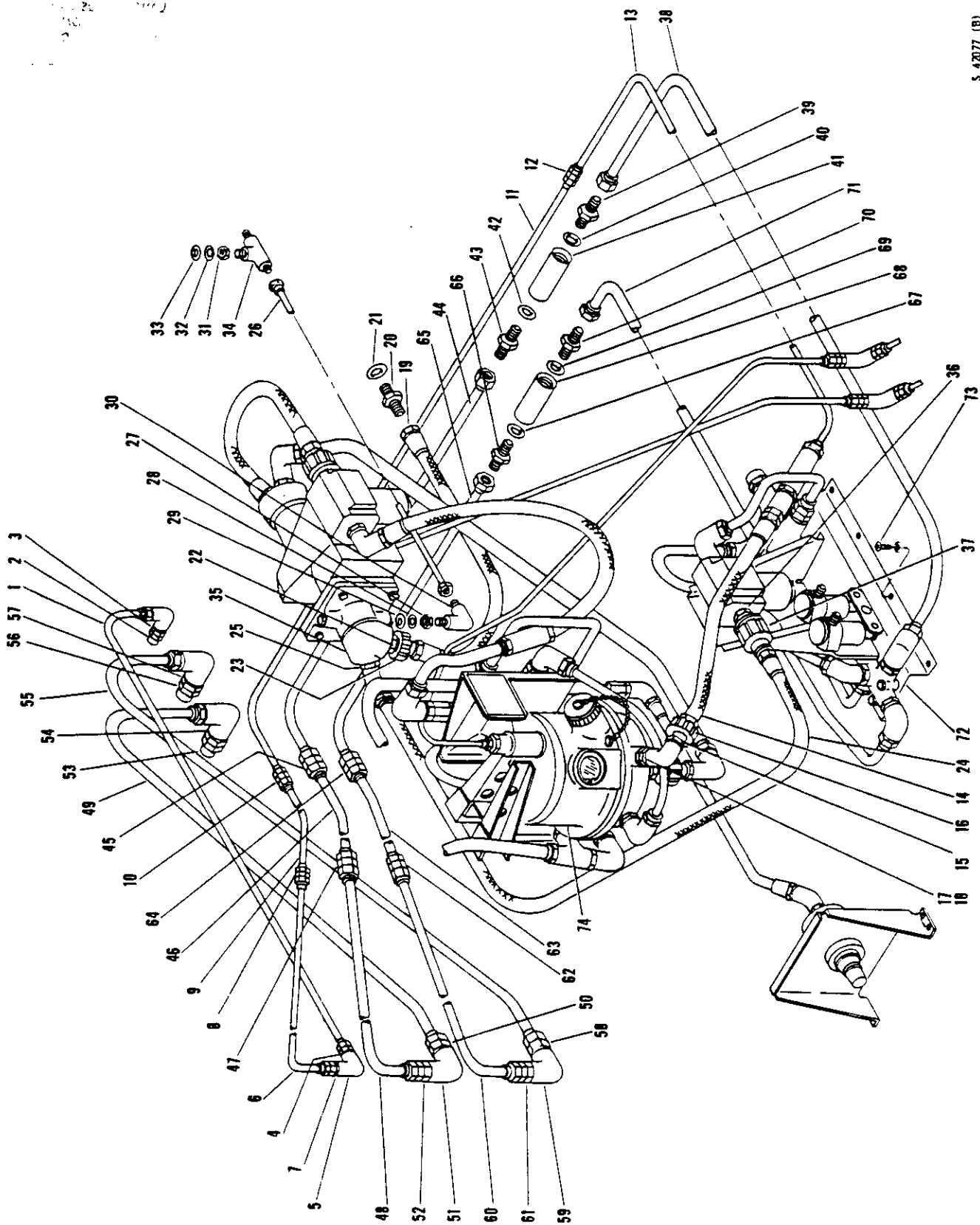


S 42076 (B)

FIGURE 196. MAIN ROTOR SERVO AND HOIST HYDRAULIC SYSTEM INSTALLATION

FIGURE AND INDEX NUMBER	PART NUMBER	DESCRIPTION	UNITS PER ASSY							USABLE ON CODE
			1	2	3	4	5	6	7	
197 -	MS1665-20111-12	HYDRAULIC SYSTEM INSTALLATION, MAIN ROTOR SERVO /USE								REF
	MS1665-20111-11	HYDRAULIC SYSTEM INSTALLATION, MAIN ROTOR SERVO /USE								REF
- 1	S1665-20059-77	TUBE ASSEMBLY, PRESSURE ELBOW TO UNION								1
- 2	AN929-4	CAP, /USE WITH S1665-20111-12/								1
- 3	AN924-4D	NUT								1
	AN960PD716	WASHER								1
	AN833-4D	ELBOW								1
- 4	AN815-4D	UNION								1
	MS28778-4	PACKING								1
- 5	AN939D4	ELBOW								1
	MS28778-4	PACKING								1
- 6	S1665-20059-181	TUBE ASSEMBLY, BY PASS UNION TO UNION								1
- 7	AN924-4D	NUT								1
	AN832-4D	UNION								1
- 8	AN815-4D	UNION								1
- 9	S1665-20059-183	TUBE ASSEMBLY, BYPASS UNION TO UNION								1
- 10	AN815-4D	UNION								1
- 11	S1665-20059-185	TUBE ASSEMBLY, BYPASS UNION TO UNION								1
- 12	AN815-4D	UNION								1
- 13	S1665-20059-187	TUBE ASSEMBLY, HOIST MOTOR BYPASS UNION TO TEE								1
- 14	S1665-20058-45	HOSE ASSEMBLY, CHECK VALVE TO COUPLING								1
- 15	AN6289D8	NUT								1
	MS28778-8	PACKING								1
	MS28777-8	RING								1
- 16	157-8D	COUPLING ASSEMBLY, SELF-SEALING /00624/								1
- 17	AN6289D8	NUT								1
	MS28778-8	PACKING								1
	MS28777-8	RING								1
	AN939D8	ELBOW								1
- 18	AN832-8D	UNION								1
	MS28778-8	PACKING								1
- 19	S1665-20058-45	HOSE ASSEMBLY, UNION TO COUPLING								1
- 20	AN815-8D	UNION								1
- 21	MS28778-8	PACKING								1
- 22	AN6289D8	NUT								1
	MS28778-8	PACKING								1
	MS28777-8	RING								1
- 23	157-8D	COUPLING ASSEMBLY, SELF-SEALING 000624/								1
- 24	MS28741-8-0224	HOSE ASSEMBLY, ELBOW TO COUPLING								1
- 25	AN6289D8	NUT								1
	MS28778-8	PACKING								1
	MS28777-8	RING								1
	AN837-8D	ELBOW								1
- 26	S1665-20059-269	TUBE ASSEMBLY, DRAIN ELBOW TO TEE								1
- 27	AN6289D4	NUT								1
- 28	MS28778-4	PACKING								1
- 29	MS28777-4	RING								1
- 30	AN833-4D	ELBOW								1
- 31	AN6289D4	NUT								1
- 32	MS28778-4	PACKING								1
- 33	MS28777-4	RING								1
- 34	AN834-4D	TEE								1
- 35	PF36-3909-30ZE2	PUMP, HYDRAULIC /62983/								1
- 36	AN6289D8	NUT								1
	MS28778-8	PACKING								1
	MS28777-8	RING								1
- 37	157-8D	COUPLING ASSEMBLY, SELF-SEALING /00624/								1
- 38	S1665-20059-273	TUBE ASSEMBLY, PRESSURE ELBOW TO UNION								1
- 39	AN815-8D	UNION								1
- 40	MS28778-8	PACKING								1
- 41	9-855-5	STRAINER, /86768/								1
- 42	MS28778-8	PACKING								1
- 43	AN815-8D	UNION								1
- 44	S1665-20059-167	TUBE ASSEMBLY, PRESSURE UNION TO UNION								1
- 45	AN815-8D	UNION								1
- 46	S1665-20059-169	TUBE ASSEMBLY, PRESSURE UNION TO UNION								1
- 47	AN815-8D	UNION								1
- 48	S1665-20059-171	TUBE ASSEMBLY, PRESSURE UNION TO UNION								1
- 49	S1665-20059-57	TUBE ASSEMBLY, PRESSURE LOWERING UNION TO ELBOW								1
- 50	AN815-8D	UNION								1
	MS28778-8	PACKING								1

□ USED ON SOME MODEL S-58T HELICOPTERS.

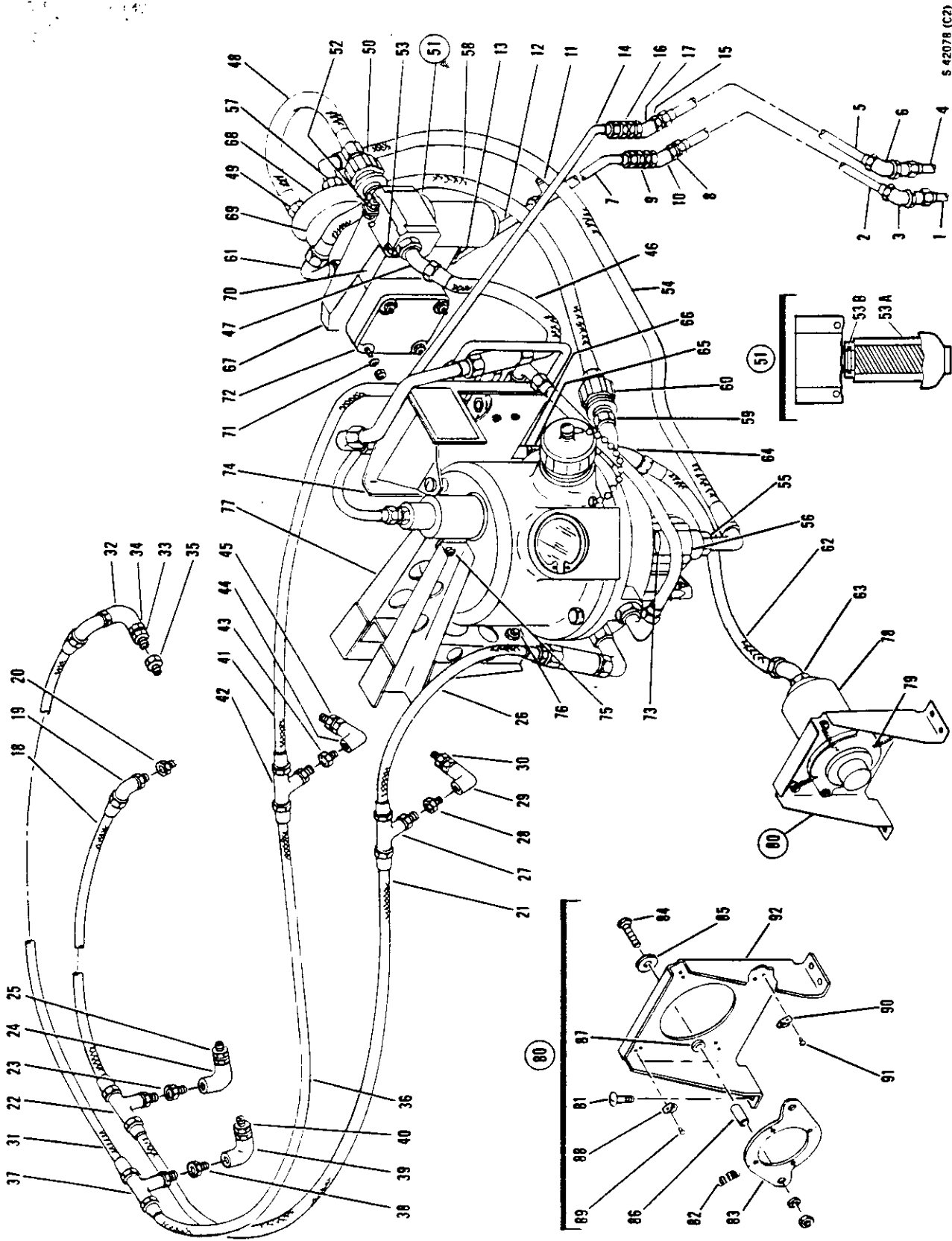


S 42077 (B)

FIGURE 197. MAIN AUTOMATIC SERVO HYDRAULIC SYSTEM INSTALLATION

FIGURE AND INDEX NUMBER	PART NUMBER	DESCRIPTION	UNITS PER ASSY							USABLE ON CODE	
			1	2	3	4	5	6	7		
197 - 51	AN93908	• ELBOW								1	
	MS28778-8	• PACKING								1	
- 52	AN924-8D	• NUT								1	
	AN832-8D	• UNION								1	
- 53	AN929-8	• CAP, /USE WITH S1665-20111-12/								1	
- 54	AN924-8D	• NUT								1	
	AN960D1216	• WASHER								1	
	AN833-8D	• ELBOW								1	
- 55	S1665-20059-59	• TUBE ASSEMBLY, PRESSURE LOWERING ELBOW TO UNION								1	
- 56	AN929-8	• CAP /USE WITH S1665-20111-12/								1	
- 57	AN924-8D	• NUT								1	
	AN960D1216	• WASHER								1	
	AN833-8D	• ELBOW								1	
- 58	AN815-8D	• UNION								1	
	MS28778-8	• PACKING								1	
- 59	AN93908	• ELBOW								1	
	MS28778-8	• PACKING								1	
- 60	S1665-20059-173	• TUBE ASSEMBLY, PRESSURE UNION TO UNION								1	
- 61	AN924-8D	• NUT								1	
	AN832-8D	• UNION								1	
- 62	AN815-8D	• UNION								1	
- 63	S1665-20059-175	• TUBE ASSEMBLY, PRESSURE UNION TO UNION								1	
- 64	AN815-8D	• UNION								1	
- 65	S1665-20059-251	• TUBE ASSEMBLY, PRESSURE UNION TO UNION								1	
- 66	AN815-8D	• UNION								1	
- 67	MS28778-8	• PACKING								1	
- 68	9-855-5	• STRAINER, /86768/								1	
- 69	MS28778-8	• PACKING								1	
- 70	AN815-8D	• UNION								1	
- 71	S1665-20059-253	• TUBE ASSEMBLY, PRESSURE UNION TO UNION								1	
- 72	S1665-20083-1	• PANEL ASSEMBLY, RESCUE HOIST SEE FIGURE 192 /ATTACHING PARTS/								1	
- 73	NK525-10-6	• SCREW, /02615/								8	
	AN960PD10L	• WASHER								8	
- 74	S1665-20110-10	• HYDRAULIC SYSTEM INSTALLATION, MAIN ROTOR SERVO SEE FIGURE 198								1	
198 -	□S1665-20111-4	HYDRAULIC SYSTEM INSTALLATION, MAIN ROTOR SERVO								1	
	S1665-20110-5	• HYDRAULIC SYSTEM INSTALLATION, MAIN ROTOR SERVO								1	
	S1665-20110-10	• HYDRAULIC SYSTEM INSTALLATION, MAIN ROTOR SERVO SEE FIGURE 197-74								REF	
- 1	S1665-20059-29	• TUBE ASSEMBLY, DRAIN ELBOW TO OVERBOARD								1	
- 2	S1665-200-59-25	• TUBE ASSEMBLY, DRAIN UNION TO ELBOW								1	
- 3	AN924-4D	• NUT								1	
	AN960PD416	• WASHER								1	
	AN837-4D	• ELBOW								1	
- 4	S1665-20059-31	• TUBE ASSEMBLY, DRAIN ELBOW TO OVERBOARD								1	
- 5	S1665-20059-27	• TUBE ASSEMBLY, DRAIN UNION TO ELBOW								1	
- 6	AN924-4D	• NUT								1	
	AN960PD416	• WASHER								1	
	AN837-4D	• ELBOW								1	
- 7	S1665-20059-191	• TUBE ASSEMBLY, DRAIN UNION TO TEE								1	
- 8	AN815-4D	• UNION								1	
	MS28778-4	• PACKING								1	
- 9	AN832-4D	• UNION								1	
	MS28778-4	• PACKING								1	
- 10	AN924-4D	• NUT								1	
	AN941D4	• ELBOW								1	
- 11	AN824-4D	• TEE								1	
- 12	S1665-20059-189	• TUBE ASSEMBLY, DRAIN TEE TO ELBOW /USE WITH S1665-20110-5/								1	
	S1665-20059-271	• TUBE ASSEMBLY, DRAIN TEE TO ELBOW /USE WITH S1665-20110-10/								1	
- 13	AN6289D4	• NUT								1	
	MS28778-4	• PACKING								1	
	MS28777-4	• RING								1	
	AN833-4D	• ELBOW								1	

□ USED ON SOME MODEL S-58T HELICOPTERS.



S 42078 (C2)

FIGURE 198. MAIN ROTOR SERVO HYDRAULIC SYSTEM INSTALLATION





SECTION II  
GROUP ASSEMBLY PARTS LIST

S-58T ILLUSTRATED PARTS CATALOG  
SA4047-24

SIKORSKY AIRCRAFT

FIGURE AND INDEX NUMBER	PART NUMBER	DESCRIPTION							UNITS PER ASSY	USABLE ON CODE
		1	2	3	4	5	6	7		
198	MS28777-4	.	.	RING	.	.	.	.	1	
	AN832-4	.	.	UNION	.	.	.	.	1	
- 46	MS28741-8-0130	.	.	HOSE ASSEMBLY	.	.	.	.	1	
- 47	AN6289D8	.	.	NUT	.	.	.	.	1	
	MS28778-8	.	.	PACKING	.	.	.	.	1	
	MS28777-8	.	.	RING	.	.	.	.	1	
	AN833-80	.	.	ELBOW	.	.	.	.	1	
- 48	MS28741-8-0180	.	.	HOSE ASSEMBLY	.	.	.	.	1	
- 49	AN919-150	.	.	REDUCER	.	.	.	.	1	
	MS28778-10	.	.	PACKING	.	.	.	.	1	
- 50	157-80	.	.	COUPLING ASSEMBLY, SELF-SEALING /00624/	.	.	.	.	1	
	AN6289D8	.	.	NUT	.	.	.	.	1	
	MS28778-8	.	.	PACKING	.	.	.	.	1	
	MS28777-8	.	.	RING	.	.	.	.	1	
- 51	MS28720-8	.	.	FILTER	.	.	.	.	1	
		.	.	/ATTACHING PARTS/	.	.	.	.		
- 52	AN4DD26A	.	.	BOLT	.	.	.	.	1	
	AN960PD416L	.	.	WASHER	.	.	.	.	1	
	MS21044N4	.	.	NUT	.	.	.	.	1	
- 53	AN4DD26A	.	.	BOLT	.	.	.	.	1	
	AN960PD416L	.	.	WASHER	.	.	.	.	1	
	MS21044N4	.	.	NUT	.	.	.	.	1	
		.	.	- - - * - - -	.	.	.	.		
- 53A	AN6235-3A	.	.	ELEMENT, FILTER	.	.	.	.	1	
- 53B	AN6227-17	.	.	PACKING	.	.	.	.	1	
- 54	S1665-20058-3	.	.	HOSE ASSEMBLY	.	.	.	.	1	
- 55	AN6289D10	.	.	NUT	.	.	.	.	1	
	MS28778-10	.	.	PACKING	.	.	.	.	1	
	MS28777-10	.	.	RING	.	.	.	.	1	
- 56	157-100	.	.	COUPLING ASSEMBLY, SELF-SEALING /00624/	.	.	.	.	1	
- 57	AN919-200	.	.	REDUCER	.	.	.	.	1	
	MS28778-12	.	.	PACKING	.	.	.	.	1	
- 58	MS28741-6-0330	.	.	HOSE ASSEMBLY	.	.	.	.	1	
- 59	AN6289D6	.	.	NUT	.	.	.	.	1	
	MS28778-6	.	.	PACKING	.	.	.	.	1	
	MS28777-6	.	.	RING	.	.	.	.	1	
- 60	157-100	.	.	COUPLING ASSEMBLY, SELF-SEALING /00624/	.	.	.	.	1	
- 61	AN6289D6	.	.	NUT	.	.	.	.	1	
	MS28778-6	.	.	PACKING	.	.	.	.	1	
	MS28777-6	.	.	RING	.	.	.	.	1	
	AN833-60	.	.	ELBOW	.	.	.	.	1	
- 62	MS28741-4-0120	.	.	HOSE ASSEMBLY	.	.	.	.	1	
- 63	AN6289D4	.	.	NUT	.	.	.	.	1	
	MS28778-4	.	.	PACKING	.	.	.	.	1	
	MS28777-4	.	.	RING	.	.	.	.	1	
	AN837-40	.	.	ELBOW	.	.	.	.	1	
- 64	AN6289D4	.	.	NUT	.	.	.	.	1	
	MS28778-4	.	.	PACKING	.	.	.	.	1	
	MS28777-4	.	.	RING	.	.	.	.	1	
	AN833-40	.	.	ELBOW	.	.	.	.	1	
- 65	11223-50	.	.	RESTRICTOR, /26044/	.	.	.	.	1	
	17-100-6-2-30	.	.	RESTRICTOR, /GAR PRECISION PARTS, INC., STAMFORD CONN./ /ALTERNATE/	.	.	.	.	1	
- 66	8195-1	.	.	SNUBBER, /99643/	.	.	.	.	1	
- 67	S1665-20033	.	.	BRACKET ASSEMBLY, FILTER	.	.	.	.	1	
		.	.	/ATTACHING PARTS/	.	.	.	.		
	AN960PD516L	.	.	WASHER	.	.	.	.	1	
	MS21044N5	.	.	NUT	.	.	.	.	1	
	AN960PD516L	.	.	WASHER	.	.	.	.	AR	
	MS21083N5	.	.	NUT	.	.	.	.	1	
		.	.	- - - * - - -	.	.	.	.		
- 68	67NL200-2	.	.	PUMP, HYDRAULIC /90166/	.	.	.	.	1	
	667WB200-3	.	.	PUMP, HYDRAULIC /90166/	.	.	.	.	1	
	667WAF200	.	.	PUMP, HYDRAULIC /90166/	.	.	.	.	1	
		.	.	/ATTACHING PARTS/	.	.	.	.		
	AN960PD516L	.	.	WASHER	.	.	.	.	4	
	MS21044N5	.	.	NUT	.	.	.	.	4	
		.	.	- - - * - - -	.	.	.	.		

⊗ USED ON MOST MODEL S-58T HELICOPTERS.  
\$ PER SERVICE BULLETIN 58B35-24A.

FIGURE AND INDEX NUMBER	PART NUMBER	DESCRIPTION	UNITS PER ASSY							USABLE SECTION CODE	
			1	2	3	4	5	6	7		
198 - 69	AN4044-1	. . GASKET . . . . .								2	
- 70	S1655-20144	. . BRACKET ASSEMBLY . . . . .								1	
- 71	AN960PD516L	. . WASHER . . . . .								AR	
- 72	AN100036	. . COVER, /USE WITH S1665-20110-5/ . . . . .								1	
- 73	AN814-8D	. . PLUG . . . . .								2	
	MS28778-8	. . PACKING . . . . .								2	
- 74	S1665-20077-1	. . PANEL ASSEMBLY, FORWARD SECTION SERVO AND HOIST . . . . . HYDRAULIC RESERVOIR /REPLACES S1665-20202/ SEE FIGURE 193								1	
		/ATTACHING PARTS/									
- 75	AN3-10A	. . BOLT . . . . .								1	
	AN960PD10L	. . WASHER . . . . .								1	
	MS20365-1032	. . NUT . . . . .								1	
		- - - * - - -									